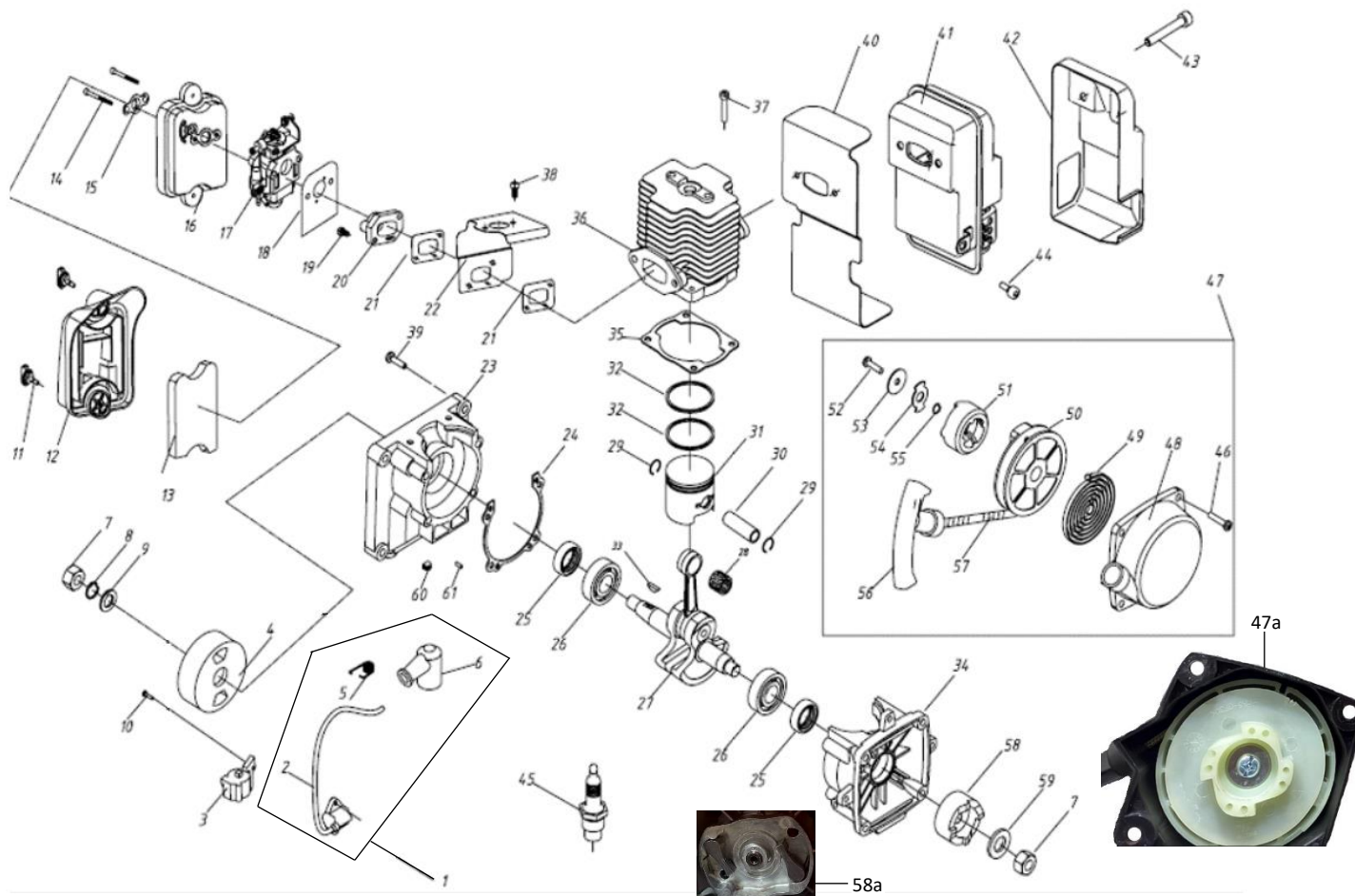


## Documentatie tehnica Atomizor A109S

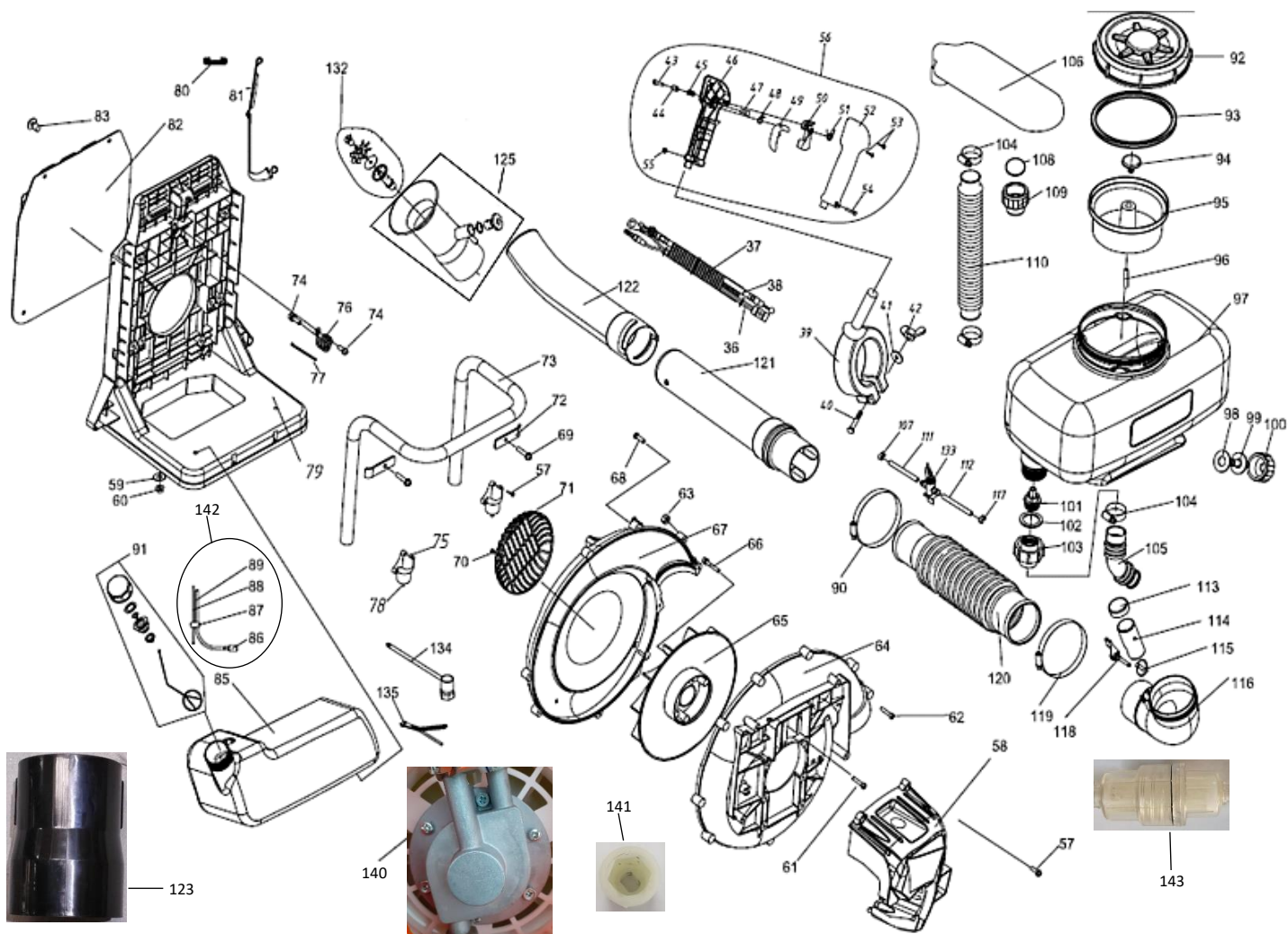


Nr.crt	Denumire produs	Product name	Cod comanda
1	ansamblu modul aprindere	Magneto comp.	psa109s-1-1
3	modul aprindere	ignition coil	psa109s-1-3
4	volanta	flywheel	psa109s-1-4
7	piulita M10	Nut M10	psa109s-1-7
8	saiba $\phi 10$	Washer $\phi 10$	psa109s-1-8
9	saiba $\phi 10$	Washer $\phi 10$	psa109s-1-9
10	surub M4x20	Screw M4x20	psa109s-1-10
11	rozeta	Knob Bolt	psa109s-1-11
12	capac filtru aer	Air cleaner cover	psa109s-1-12
13	filtru aer	Filter Net	psa109s-1-13
14	surub M5x55	Screw M5x55	psa109s-1-14
15	clema	Baffle	psa109s-1-15

## Producător motoutilaje

## Documentatie tehnică

16	suport filtru aer	Air cleaner inside comp.	psa109s-1-16
17	carburator	Carburetor	psa109s-1-17
18	garnitura carburator	Carburetor gasket	psa109s-1-18
19	surub M5x25	Screw M5x25	psa109s-1-19
20	racord carburator	Admitting pipe	psa109s-1-20
21	garnitura racord carburator	Admitting pipe gasket	psa109s-1-21
22	deflector	Air Deflector	psa109s-1-22
23	semicarter	Front crankcase	psa109s-1-23
24	garnitura etansare	Sealing washer	psa109s-1-24
25	simering	Oil seal	psa109s-1-25
26	rulment	Bearing	psa109s-1-26
27	ambielaj	Crank shaft	psa109s-1-27
28	rulment	BEARING	psa109s-1-28
29	siguranta inel	Ring	psa109s-1-29
30	pin piston	Piston pin	psa109s-1-30
31	piston	Piston	psa109s-1-31
32	segmenti	Piston ring	psa109s-1-32
33	pana semiluna	Key	psa109s-1-33
34	semicarter	Back crankcase	psa109s-1-34
35	garnitura cilindru	Cylinder washer	psa109s-1-35
36	cilindru	Cylinder	psa109s-1-36
37	surub M5x20	Screw M5x20	psa109s-1-37
38	surub M5x8	Screw M5x8	psa109s-1-38
39	surub M5x30	Screw M5x30	psa109s-1-39
40	garnitura toba	Muffler gasket	psa109s-1-40
41	toba esapament	Muffler	psa109s-1-41
42	capac toba	Shield	psa109s-1-42
43	surub M6x70	Screw M6x70	psa109s-1-43
44	surub M5x12	Screw M5x12	psa109s-1-44
45	bujie	Spark plug	br2t
46	surub M5x16	Screw M5x16	psa109s-1-46
47	ansamblu demaror	Starter	psa109s-1-47
47a	ansamblu demaror 2022	starter 2022	psa109s-1-47a
58	cuplaj	Starter reel	psa109s-1-58
58a	cuplaj 2022	starter reel 2022	psa109s-1-58a
59	saiba $\phi$ 10	Washer $\phi$ 10	psa109s-1-59
60	clema	clip	psa109s-1-60
61	pin 4h8x10	Pin 4h8x10	psa109s-1-61



Nr.crt	Denumire produs	Product name	Cod comanda
36	buton stop	Stop switch	psa109s-2-36
38	ansamblu cablu	Cable comp.	psa109s-2-38
39	ansamblu maner	Handle comp.	psa109s-2-39
56	ansamblu amneta acceleratie	Throttle lever comp.	psa109s-2-56
57	surub M5x16	Screw M5x16	psa109s-2-57
58	protectie	Protection cover	psa109s-2-58
59	saiba $\phi 6$	Washer $\phi 6$	psa109s-2-59
60	piulita M6	Nut M6	psa109s-2-60
61	surub M6x30	Screw M6x30	psa109s-2-61
63	piulita M5	Nut M5	psa109s-2-63
64	carcasa	Volute case	psa109s-2-64

## Producător motoutilaje

## Documentatie tehnică

65	turbina	Impeller	psa109s-2-65
67	carcasa	Volute case	psa109s-2-67
70	surub ST4.2×13	Screw ST4.2×13	psa109s-2-70
71	sita protectie	Protect Net	psa109s-2-71
72	placa	Board	psa109s-2-72
73	suport	Support	psa109s-2-73
74	surub M6x16	Screw M6x16	psa109s-2-74
75	bloc fixare	Fixed block	psa109s-2-75
76	arc	Spring	psa109s-2-76
78	amortizor	Rubber pollar	psa109s-2-78
79	cadru	Frame	psa109s-2-79
80	axe	Axis	psa109s-2-80
81	ham	Harness	psa109s-2-81
82	burduf	Mat	psa109s-2-82
85	ansamblu rezervor	Fuel tank comp.	psa109s-2-85
90	clema $\phi 59-\phi 82$	Clip $\phi 59-\phi 82$	psa109s-2-90
91	ansamblu buson rezervor	Fuel tank lid assy	psa109s-2-91
92	capac rezervor	Lid	psa109s-2-92
93	garnitura capac	Sealing washer	psa109s-2-93
94	valva	Air valve&Filter	psa109s-2-94
95	Sita	Strainer	psa109s-2-95
96	aerisitor	Tube	psa109s-2-96
97	bazin	Chemcal Tank	psa109s-2-97
98	garnitura etansare	Sealing washer	psa109s-2-98
99	teava	Link pipe	psa109s-2-99
100	conector furtun	Connector lid	psa109s-2-100
101	conector	Connector	psa109s-2-101
102	garnitura etansare	Sealing washer	psa109s-2-102
103	conector furtun	Connector lid	psa109s-2-103
104	clema $\Phi 25 \sim \Phi 40$	Clip $\Phi 25 \sim \Phi 40$	psa109s-2-104
105	conector	Connector	psa109s-2-105
106	tub	Tube	psa109s-2-106
108	inel	Loop	psa109s-2-108
109	conector	Connector lid	psa109s-2-109
110	tub	Tube	psa109s-2-110
111	tub	Tube	psa109s-2-111
112	furtun	Hose	psa109s-2-112
113	tampon	Plug	psa109s-2-113
114	tub	Tube	psa109s-2-114
115	placa	Board	psa109s-2-115
116	cot racord	Elbow	psa109s-2-116

## Producător motoutilaje

## Documentatie tehnică

117	clema	Clip	psa109s-2-117
118	comutator	Switch	psa109s-2-118
119	clema $\phi 78-\phi 90$	Clip $\phi 78-\phi 90$	psa109s-2-119
120	tub cauciuc	Rubber tube	psa109s-2-120
121	tub conecor	Connector tube	psa109s-2-121
122	tub prelungitor	Long tube	psa109s-2-122
123	conector	connector	psa109s-2-123
125	ansamblu cap pulverizare	spray head assembly	psa109s-2-125
132	diuza	nozzle	psa109s-2-132
133	ansamblu robinet	Cock ass'y	psa109s-2-133
135	lant	Chain	psa109s-2-135
140	pompa de presiune	Pressure pump	psa109s-2-140
141	cuplaj pompa	Pump muff	psa109s-2-141
142	ansamblu alimentare	Fuel assy.	psa109s-2-142
143	filtru solutie	solution filter	psa109s-2-143