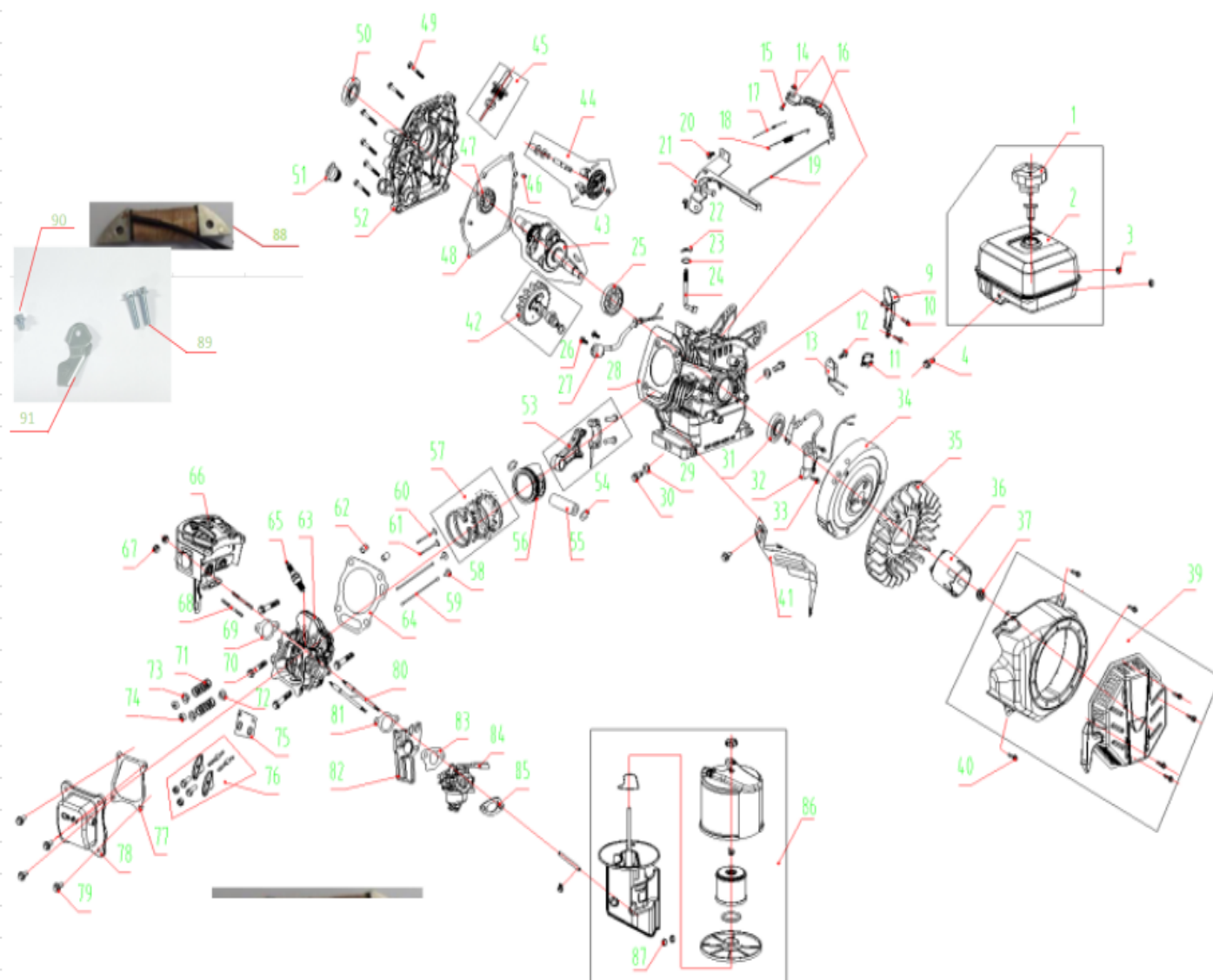


Documentatie tehnica motocultor 732K.2024



Nr.crt	Denumire produs	Product name	Cod comanda
1	buson rezervor	fuel tank cover	ps732k-1-1
2	rezervor combustibil	fuel tank	ps732k-1-2
3	piulita	nut	ps732k-1-3
4	surub	bolt	ps732k-1-4
9	deflector	diversion assy	ps732k-1-9
10	surub	bolt	ps732k-1-10
11	clema	clip	ps732k-1-11
12	surub	bolt	ps732k-1-12
13	condensator	capacitor	ps732k-1-13

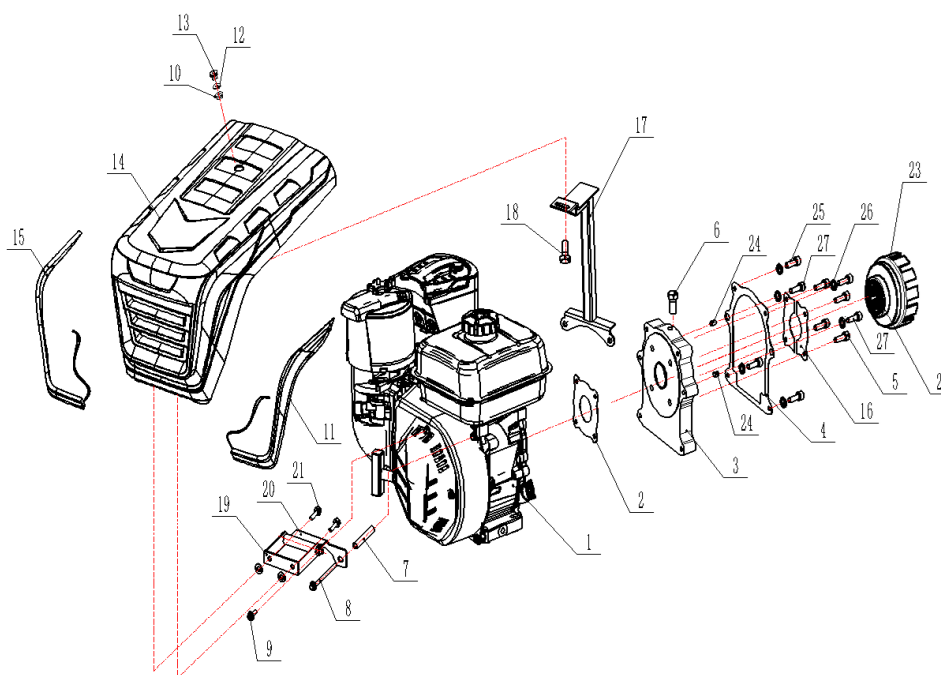
14	piulita	nut	ps732k-1-14
15	surub	bolt	ps732k-1-15
16	brat regulator	arm governor	ps732k-1-16
17	arc	spring throttle b	ps732k-1-17
18	arc	spring throttle a	ps732k-1-18
18a	arc	spring throttle	ps732k.2024-1-18a
19	tija regulator	rod governor	ps732k-1-19
20	surub	bolt	ps732k-1-20
21	ansamblu acceleratie	throttle control assy	ps732k-1-21
22	siguranta	pin	ps732k-1-22
23	saiba	washer	ps732k-1-23
24	ax regulator	shaft governor arm	ps732k-1-24
25	rulment	bearing	ps732k-1-25
26	surub	bolt	ps732k-1-26
27	senzor ulei	oil sensor	ps732k-1-27
28	bloc motor	crank case	ps732k-1-28
28a	bloc motor	crank case	ps732k.2024-1-28a
29	saiba	washer	ps732k-1-29
30	buson drenaj ulei	bolt drain plug	ps732k-1-30
31	simering	oil seal	ps732k-1-31
32	modul aprindere	coil assy ignition	ps732k-1-32
33	surub	bolt	ps732k-1-33
34	volanta	flywheel	ps732k-1-34
35	ventilator	fan cooling	ps732k-1-35
36	cuplaj	boot cup	ps732k-1-36
37	piulita	piulita	ps732k-1-37
39	ansamblu demaror	starter	ps732k-1-39
40	surub	bolt	ps732k-1-40
41	protectie	protection	ps732k-1-41
42	ansamblu ax came	camshaft assy	ps732k-1-42
43	arbore motor	crankshaft	ps732k-1-43
44	ansamblu regulator	gear governor	ps732k-1-44
45	joja	oil ruler	ps732k-1-45
46	pin de ghidare	pin	ps732k-1-46
47	rulment	bearing	ps732k-1-47
48	garnitura carter	gasket	ps732k-1-48
48a	garnitura carter	gasket	ps732k.2024-1-48a
49	surub	bolt	ps732k-1-49
50	seimering	oil seal	ps732k-1-50
51	buson ulei	oil plug assy	ps732k-1-51
52	capac carter	crank case cover	ps732k-1-52

Producător motoutilaje

Documentatie tehnică

53	ansamblu biela	connecting rod	ps732k-1-53
53a	ansamblu biela	connecting rod	ps732k.2024-1-53a
54	siguranta bolt	clip piston pin	ps732k-1-54
55	bolt piston	pin piston	ps732k-1-55
56	piston	piston	ps732k-1-56
56a	piston	piston	ps732k.2024-1-56a
57	set segmenti	ring set	ps732k-1-57
57a	set segmenti	ring set	ps732k.2024-1-57a
58	tachet	lefter valve	ps732k-1-58
59	tija	rod push	ps732k-1-59
60	supapa evacuare	valve ex	ps732k-1-60
60a	supapa evacuare	valve ex	ps732k.2024-1-60a
61	supapa admisie	valve in	ps732k-1-61
61a	supapa admisie	valve in	ps732k.2024-1-61a
62	bucsa ghidare	bush	ps732k-1-62
63	chiulasa	head comp clinder	ps732k-1-63
63a	chiulasa	head comp clinder	ps732k.2024-1-63a
64	garnitura chiulasa	gasket cylinder	ps732k-1-64
65	bujie	plug spark	ps732k-1-65
66	toba esapament	muffler assy	ps732k-1-66
67	piulita	nut	ps732k-1-67
68	prezon	stud	ps732k-1-68
69	garnitura evacuare	gasket	ps732k-1-69
70	surub	bolt	ps732k-1-70
71	arc supape	spring valve	ps732k-1-71
72	simering supapa	valve guide oil seal	ps732k-1-72
73	taler supape	spring seat for valve in and ex	ps732k-1-73
74	pastila	ratator valve	ps732k-1-74
75	placuta ghidaj	plate	ps732k-1-75
76	ansamblu culbutori	arm valve rocker	ps732k-1-76
77	garnitura capac culbutori	gasket	ps732k-1-77
78	capac culbutori	cover comp head	ps732k-1-78
78a	capac culbutori	cover comp head	ps732k.2024-1-78a
79	surub	bolt	ps732k-1-79
80	prezon	stud	ps732k-1-80
81	garnitura izolator	gasket for air inlet	ps732k-1-81
81a	garnitura izolator	gasket for air inlet	ps732k.2024-1-81a
82	izolator	insulator	ps732k-1-82
83	garnitura carburator	gasket carburetor	ps732k-1-83
83a	garnitura carburator	gasket carburetor	ps732k.2024-1-83a
84	carburator	carburetor	ps732k-1-84

84a	carburator	carburetor	ps732k.2024-1-84a
85	garnitura filtru aer	gasket for air cleaner	ps732k-1-85
85a	garnitura filtru aer	gasket for air cleaner	ps732k.2024-1-85a
86	ansamblu filtru aer	air cleaner	ps732k-1-86
87	piulita	nut	ps732k-1-87
88	bobina de iluminat	lighting coil	ps732k-1-88
89	Șuruburi cu flanșă hexagonală	Hexagonal flange bolts	ps732k-1-89
90	Șuruburi cu flanșă hexagonală	Hexagonal flange bolts	ps732k-1-90
91	Tabla de presare	Pressing board	ps732k-1-91

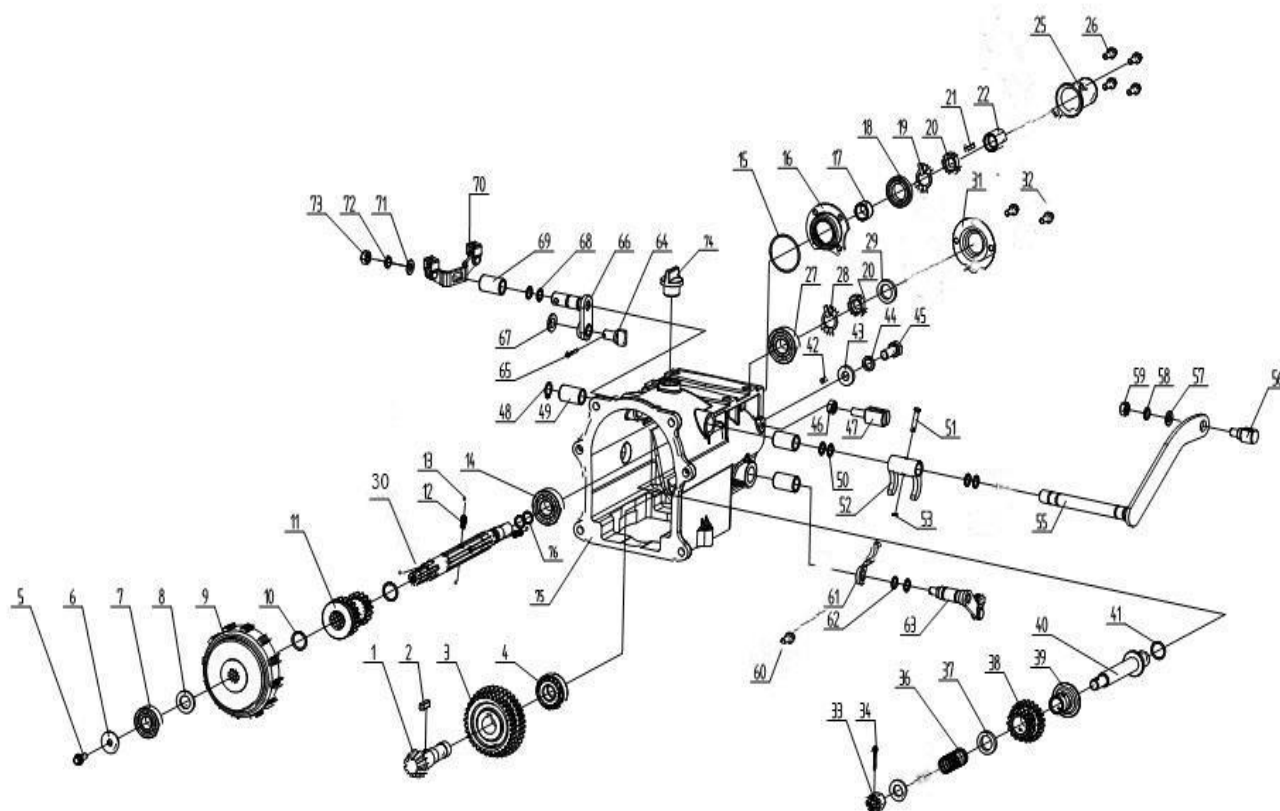


Nr.crt	Denumire produs	Product name	Cod comanda
1	Ansamblu motor	Petrol Engine	ps732k.2024-2-1
2	Garnitura	Gasket	ps732k.2024-2-2
3	Flansa	Flange	ps732k.2024-2-3
4	Garnitura	Gasket	ps732k.2024-2-4
5	Surub	Hexagon head bolt M8×25	ps732k.2024-2-5
6	Surub	Pressure relief bolt	ps732k.2024-2-6
7	Bucsa	bushing	ps732k.2024-2-7
8	Surub	Hexagonal flange bolts (small series) M6×80	ps732k.2024-2-8
9	Surub	Hexagonal flange bolts (small series) M6×12	ps732k.2024-2-9
10	Saiba cauciuc	I-beam glue	ps732k.2024-2-10
11	Far stanga	Headlight assembly (miniature tiller)	ps732k.2024-2-11
12	Saiba	Large Washer Class A Ø8	ps732k.2024-2-12

Producător motoutilaje

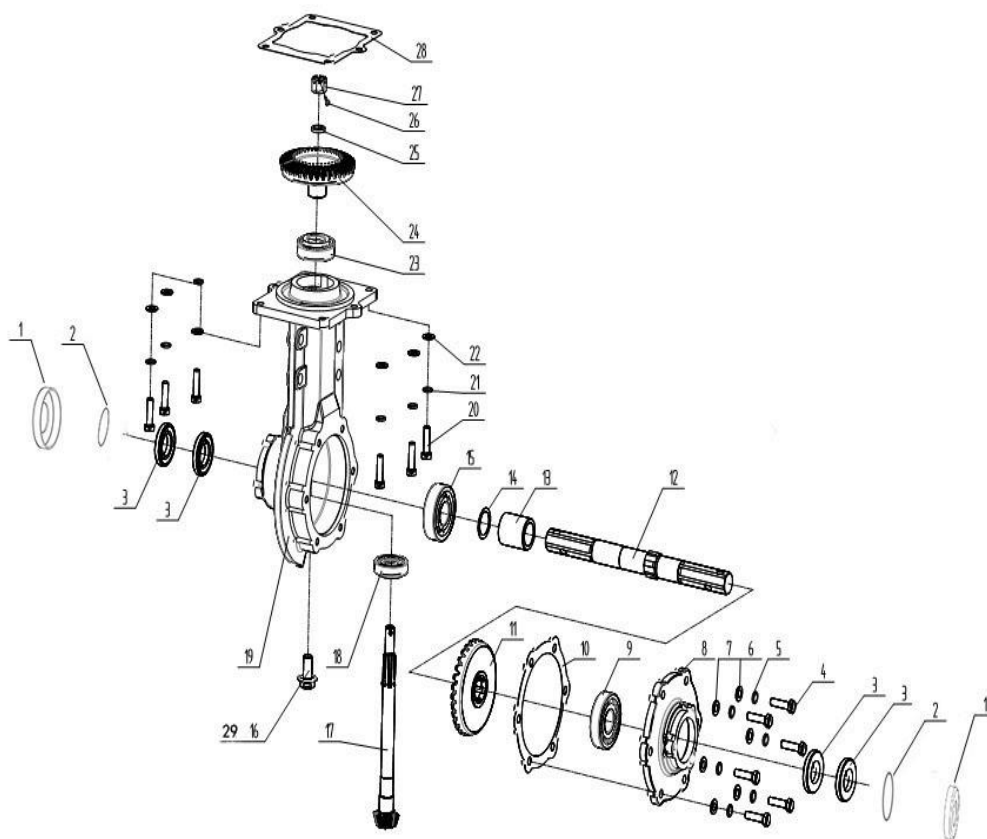
Documentatie tehnica

13	Piulita	Lock nut M8	ps732k.2024-2-13
14	Capota	shield	ps732k.2024-2-14
15	Far dreapta	Headlight assembly (miniature tiller)	ps732k.2024-2-15
16	Saiba	stop washer	ps732k.2024-2-16
17	Suport capota spate	Engine guard rear bracket	ps732k.2024-2-17
18	Surub	Hexagon head bolt M8×35	ps732k.2024-2-18
19	Suport capota fata	Engine guard front bracket	ps732k.2024-2-19
20	Suport capota fata	Engine guard front bracket	ps732k.2024-2-20
21	Surub	Hexagonal flange bolts (small series) M8×12	ps732k.2024-2-21
22	Rulment 6007	Deep groove ball bearing 6007	ps732k.2024-2-22
23	Oala ambreiaj	Clutch cover assembly	ps732k.2024-2-23
24	Pin ghidaj	Non-standard positioning pin $\varnothing 10 \times 12$	ps732k.2024-2-24
25	Surub	Hexagon head bolt M8×35	ps732k.2024-2-25
26	Siaba	Standard spring washer $\varnothing 8$	ps732k.2024-2-26
27	Surub	Hexagon head bolt M8×40	ps732k.2024-2-27



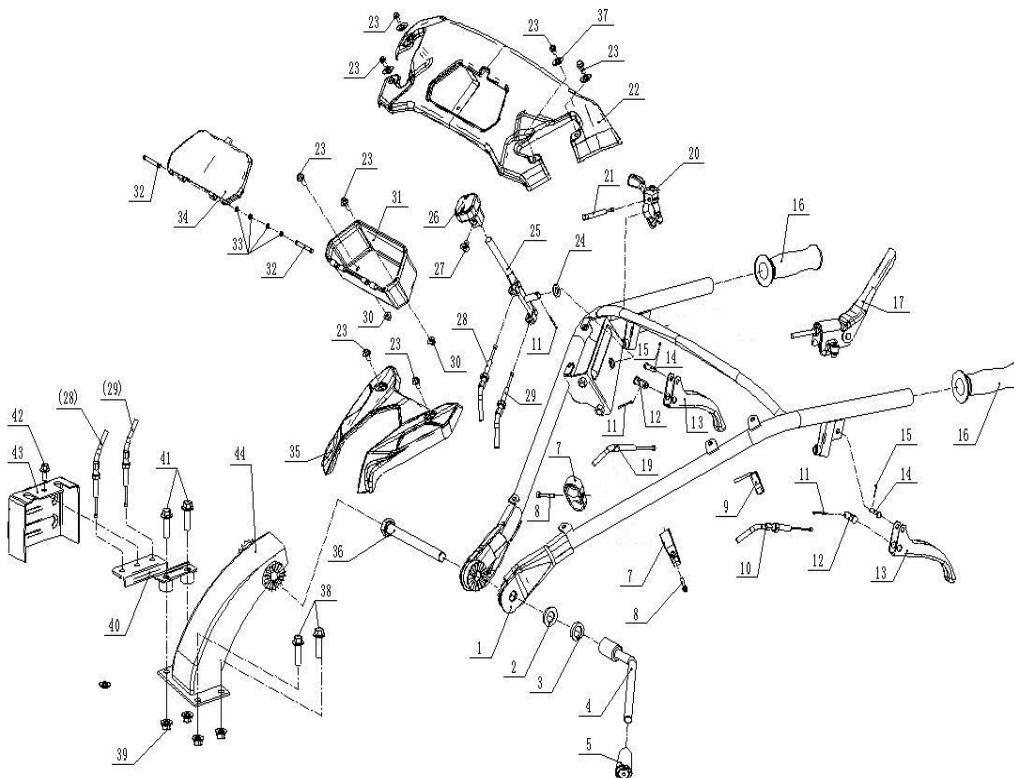
Nr.crt	Denumire produs	Product name	Cod comanda
1	Ax pinion conic	Driven shaft	ps732k.2024-3-1
2	Pana	flat key	ps732k.2024-3-2
3	Roata dintata dubla	Double spur gear	ps732k.2024-3-3
4	Rulment 30203	Bearing 30203	ps732k.2024-3-4
5	Surub	Bolt M6×16	ps732k.2024-3-5
6	Saiba	washer	ps732k.2024-3-6
7	Rulment 6202	Bearing 6202	ps732k.2024-3-7
8	Saiba	washer	ps732k.2024-3-8
9	Ambreiaj	Clutch	ps732k.2024-3-9
10	Saiba	washer 20X2	ps732k.2024-3-10
11	Pinion	shift gear	ps732k.2024-3-11
12	Bila de otel	steel ball	ps732k.2024-3-12
13	Arc	spring	ps732k.2024-3-13
14	Rulment 6203	Bearing 6203	ps732k.2024-3-14
15	O-ring	O-Ring	ps732k.2024-3-15
16	Bucsa cu guler	Pushing panel	ps732k.2024-3-16
17	Bucsa	main shaft cover	ps732k.2024-3-17
18	Simering	Oil seal	ps732k.2024-3-18
19	Saiba	washer Ø16	ps732k.2024-3-19
20	Piulita	Nut M16	ps732k.2024-3-20
21	Pana	flat key	ps732k.2024-3-21
22	Protectie	Key cover	ps732k.2024-3-22
23	Garnitua	gasket	ps732k.2024-3-23
24	Surub	Bolt M6×16	ps732k.2024-3-24
25	Protectie	main shaft protective cover	ps732k.2024-3-25
26	Surub	Bolt M6×16	ps732k.2024-3-26
27	Rulment 6203	Bearing 6203	ps732k.2024-3-27
28	Saiba	washer Ø16	ps732k.2024-3-28
29	Simering	oil plug Ø40×6	ps732k.2024-3-29
30	Ax	Shaft	ps732k.2024-3-30
31	Capac etansare	Oil seal pushing panel	ps732k.2024-3-31
32	Surub	Bolt M6×16	ps732k.2024-3-32
33	Piulita	Nut	ps732k.2024-3-33
34	Siguranta	Pin	ps732k.2024-3-34
36	Arc	reverse ring	ps732k.2024-3-36
37	Saiba	reverse ring set	ps732k.2024-3-37
38	Roata marsarier	reverse gear	ps732k.2024-3-38
39	Flansa cuplare	reverse shift	ps732k.2024-3-39
40	Ax marsarier	reverse shaft	ps732k.2024-3-40
41	Saiba	washer Ø18x1.8	ps732k.2024-3-41

42	Pin	Pin	ps732k.2024-3-42
43	Saiba	Non-standard washer	ps732k.2024-3-43
44	Grower	ring washer $\varnothing 10$	ps732k.2024-3-44
45	Surub	Bolt M10 \times 25	ps732k.2024-3-45
46	Piulita	Nut M 8	ps732k.2024-3-46
47	Scaun cablu ambreiaj	seat clutch	ps732k.2024-3-47
48	Zegher	elastic collar $\varnothing 14$	ps732k.2024-3-48
49	Bucsa	Bush	ps732k.2024-3-49
50	Saiba	washer	ps732k.2024-3-50
51	Pin	pin	ps732k.2024-3-51
52	Furca ambreiaj	clutch fork	ps732k.2024-3-52
53	Siguranta	Pin	ps732k.2024-3-53
55	Levier ambreiaj	Clutch fork shaft	ps732k.2024-3-55
56	Scaun cablu ambreiaj	clutch set	ps732k.2024-3-56
57	Saiba	washer $\varnothing 8$	ps732k.2024-3-57
58	Grower	ring washer $\varnothing 8$	ps732k.2024-3-58
59	Piulita	Nut M 8	ps732k.2024-3-59
60	Surub	Bolt M6 \times 20	ps732k.2024-3-60
61	Furca marsarier	Reverse gear fork	ps732k.2024-3-61
62	O-ring	seal ring $\varnothing 10 \times 2$	ps732k.2024-3-62
63	Levier marsarier	reverse fork shaft	ps732k.2024-3-63
64	Furca schimbator	shift gear fork	ps732k.2024-3-64
65	Siguranta	pin A5 \times 10	ps732k.2024-3-65
66	Levier schimbator viteze	shift gear fork shaft	ps732k.2024-3-66
67	Saiba	Ring $\varnothing 8$	ps732k.2024-3-67
68	O-ring	seal ring $\varnothing 10 \times 2$	ps732k.2024-3-68
69	Bucsa	Bush	ps732k.2024-3-69
70	Brat levier	shift arm	ps732k.2024-3-70
71	Saiba	Plat washer $\varnothing 8$	ps732k.2024-3-71
72	Grower	spring washer $\varnothing 8$	ps732k.2024-3-72
73	Piulita	Nut M8	ps732k.2024-3-73
74	Joja	Oil level	ps732k.2024-3-74
75	Carcasa cutie de viteze	gear box body	ps732k.2024-3-75
76	O-ring	Sealing ring $\varnothing 12.5 \times 2$	ps732k.2024-3-76



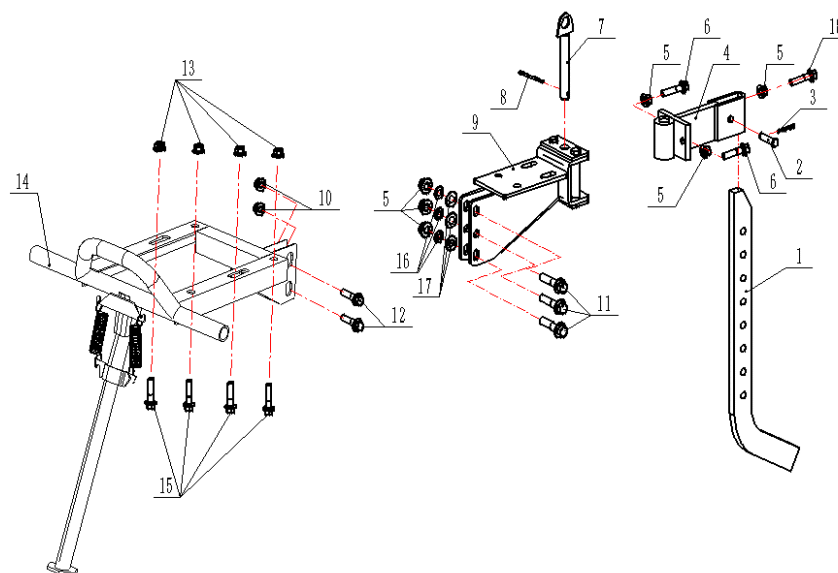
Nr.crt	Denumire produs	Product name	Cod comanda
1	Capac protectie	Dust cover	ps732k.2024-4-1
2	O-ring	O-ring seal $\Phi 56 \times \Phi 2.65$	ps732k.2024-4-2
3	Simering	Oil seal	ps732k.2024-4-3
4	Surub	Hexagon head bolt M8x25	ps732k.2024-4-4
5	Grower	Spring pad $\Phi 8$	ps732k.2024-4-5
6	Saiba	Flat washer $\Phi 8$	ps732k.2024-4-6
7	Saiba	Flat washer $\Phi 8$	ps732k.2024-4-7
8	Capac transmisie	Plum blossom end cap	ps732k.2024-4-8
9	Rulment 30305	Bearing 30305	ps732k.2024-4-9
10	Garnitura	Gasket	ps732k.2024-4-10
11	Roata dintata dubla	Traveling bevel gear	ps732k.2024-4-11
12	Ax iesire transmisie	Hexagonal output shaft	ps732k.2024-4-12
13	Bucsa	Output shaft spacer	ps732k.2024-4-13
14	Saiba	Adjustment shim $\Phi 33 \times \Phi 26 \times 0.1$ Adjustment shim $\Phi 33 \times \Phi 26 \times 0.2$ Adjustment shim $\Phi 33 \times \Phi 26 \times 0.5$	ps732k.2024-4-14
15	Rulment 6305	Bearing 6305	ps732k.2024-4-15
16	Buson golire ulei	Oil drain bolt	ps732k.2024-4-16

17	Ax pinion conic	Bevel gear shaft	ps732k.2024-4-17
18	Rulment 30204	Bearing 30204	ps732k.2024-4-18
19	Carcasa reductor	Transmission box	ps732k.2024-4-19
20	Surub	Hexagon head bolt M8×30	ps732k.2024-4-20
21	Grower	Spring pad Ø8	ps732k.2024-4-21
22	Saiba	Flat washer Ø8	ps732k.2024-4-22
23	Rulment 30205	Bearing 30205	ps732k.2024-4-23
24	Roata dintata conica	Driven bevel gear	ps732k.2024-4-24
25	Grower	Spring pad Ø12	ps732k.2024-4-25
26	Siguranta	cotter pin	ps732k.2024-4-26
27	Piulita	Hexagonal slotted thin nut M12	ps732k.2024-4-27
28	Garnitura	Sealing gasket 0.3mm Gasket 0.5mm Gasket 0.8mm Gasket 1mm	ps732k.2024-4-28
29	O-ring	O-ring seal Φ10.2×Φ2.65	ps732k.2024-4-29

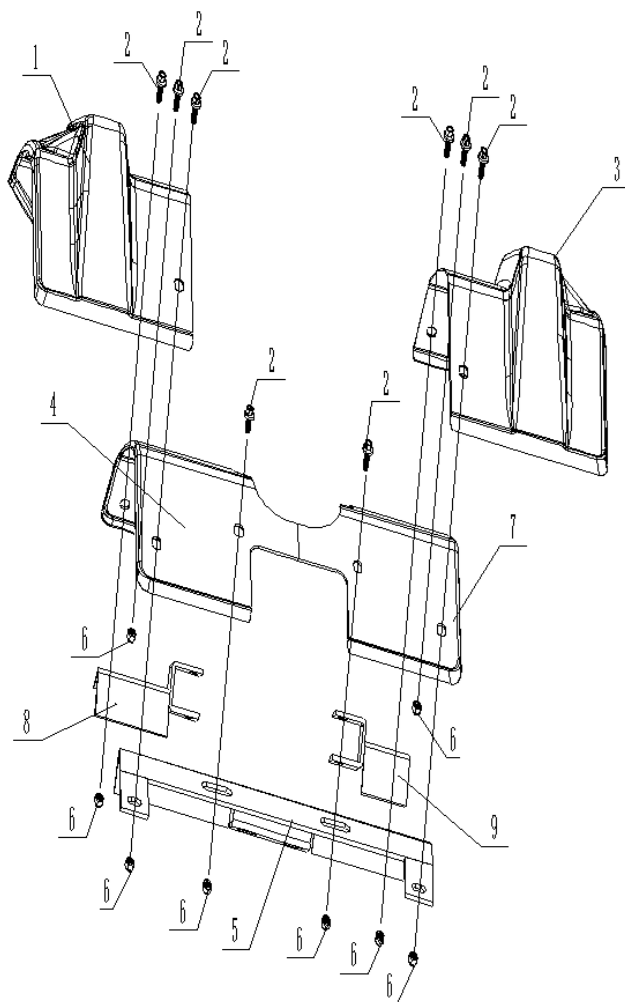


Nr.crt	Denumire produs	Product name	Cod comanda
1	Coarne	Handle frame	ps732k.2024-5-1
2	Saiba	flat gasket Ø16	ps732k.2024-5-2

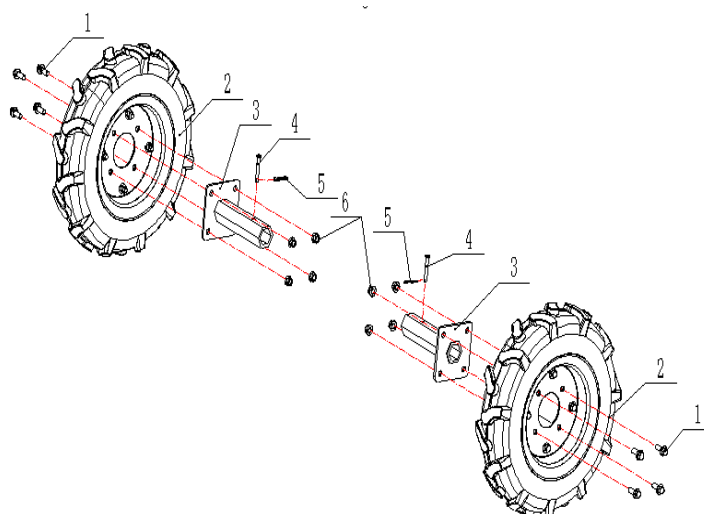
3	Grower	spring washer Ø16	ps732k.2024-5-3
4	Maner strangere	Height adjusting rod	ps732k.2024-5-4
5	Maner	Grips Handle	ps732k.2024-5-5
7	Colier	Trunking	ps732k.2024-5-7
8	Surub	ST4.8×30	ps732k.2024-5-8
9	Buton on/off	Height adjusting rod	ps732k.2024-5-9
10	Cablu ambreiaj	Clutch cable	ps732k.2024-5-10
11	Siguranta	Pin 1.6×20	ps732k.2024-5-11
12	Prindere cablu	Brace terminal	ps732k.2024-5-12
13	Maneta ambreiaj	Clutch handle	ps732k.2024-5-13
14	Bolt	Pin B7×22	ps732k.2024-5-14
15	Siguranta	Pin 1.6×20	ps732k.2024-5-15
16	Manson	hande grips	ps732k.2024-5-16
17	Maneta motor stop	stop handle	ps732k.2024-5-17
19	Cablu marsarier	reverse cable	ps732k.2024-5-19
20	Maneta acceleratie	Throttleshift assy	ps732k.2024-5-20
21	Cablu acceleratie	Throttle cable	ps732k.2024-5-21
22	Ornament	Handrail decoration A	ps732k.2024-5-22
23	Surub	Bolt M6×16	ps732k.2024-5-23
24	Saiba	Plat washer 10	ps732k.2024-5-24
25	Levier schimbator	Shift lever	ps732k.2024-5-25
26	Maner	Grips Handle	ps732k.2024-5-26
27	Surub	Bolt M6×12	ps732k.2024-5-27
28	Cablu schimbator	shift cable	ps732k.2024-5-28
29	Cablu schimbator	shift cable	ps732k.2024-5-29
30	Piulita	Nut M6	ps732k.2024-5-30
31	Cutie scule	Tool box	ps732k.2024-5-31
35	Ornament	Handrail decoration B	ps732k.2024-5-35
36	Surub	Bolt M16×150	ps732k.2024-5-36
37	Saiba	Plat washer 6	ps732k.2024-5-37
38	Surub	Bolt M10×30	ps732k.2024-5-38
39	Piulita	Nut M10	ps732k.2024-5-39
40	Suport cabluri	supporter for shift cable	ps732k.2024-5-40
41	Surub	Bolt M10×60	ps732k.2024-5-41
42	Surub	Bolt M8×16	ps732k.2024-5-42
43	Capac	cover for gearbox	ps732k.2024-5-43
44	Suport coarne	Handle base	ps732k.2024-5-44



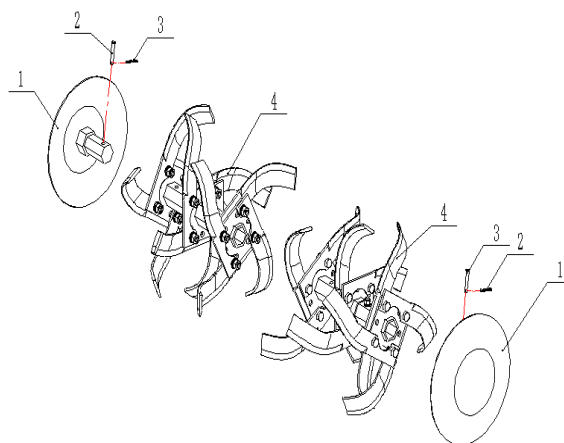
Nr.crt	Denumire produs	Product name	Cod comanda
1	Picior adancime	speed lever	ps732k.2024-6-1
2	Bolt	Pin B10×50	ps732k.2024-6-2
3	Siguranta	Special shaped cotter pin 2.0	ps732k.2024-6-3
4	Suport picior	Connecting frame welding assembly	ps732k.2024-6-4
5	Piulita	Hexagon nut M10	ps732k.2024-6-5
6	Surub	Hexagon head bolt M10×40	ps732k.2024-6-6
7	Bolt	Trailer body latch	ps732k.2024-6-7
8	Siguranta	Special shaped cotter pin 3.0	ps732k.2024-6-8
9	Suport accesorii	Trailer body welding components	ps732k.2024-6-9
10	Piulita	Type 2 hexagonal flange nut M10	ps732k.2024-6-10
11	Surub	Hexagonal flange bolts M10×45	ps732k.2024-6-11
12	Surub	Hexagon head plate bolt M10×35	ps732k.2024-6-12
13	Piulita	Hexagonal flange nut M8	ps732k.2024-6-13
14	Bara protectie	bumper	ps732k.2024-6-14
15	Surub	Hexagon head plate bolt M8×40	ps732k.2024-6-15
16	Saiba	Standard spring washers 10	ps732k.2024-6-16
17	Saiba	Flat Washer 10	ps732k.2024-6-17
18	Surub	Positioning bolt M10×35	ps732k.2024-6-18



Nr.crt	Denumire produs	Product name	Cod comanda
1	Aripa stanga	Left protective panel	ps732k.2024-7-1
2	Surub	Hexagonal flange bolt M8*16	ps732k.2024-7-2
3	Aripa dreapta	Right protective panel	ps732k.2024-7-3
4	Aripa intermediara stanga	Inner protective panel	ps732k.2024-7-4
5	Suport aripi	Fender rear bracket assembly	ps732k.2024-7-5
6	Piulita	Type 1 insert hexagonal lock nut M8	ps732k.2024-7-6
7	Aripa intermediara dreapta	Inner protective panel	ps732k.2024-7-7
8	Suport stanga	Front left bracket of fender	ps732k.2024-7-8
9	Suport dreapta	Front right bracket of fender	ps732k.2024-7-9



Nr.crt	Denumire produs	Product name	Cod comanda
1	Surub	Hexagon head plate bolt M10×20	ps732k.2024-8-1
2	Ansamblu roata	Tire assembly (miniature tillage machine)	ps732k.2024-8-2
3	Manicot	Wheel and axle assembly weldments	ps732k.2024-8-3
4	Bolt	Pin B8×50	ps732k.2024-8-4
5	Siguranta	Special shaped cotter pin 2.0	ps732k.2024-8-5
6	Piulita	Hexagonal flange nut M10	ps732k.2024-8-6



Nr.crt	Denumire produs	Product name	Cod comanda
1	Taler	Dics	ps732k.2024-9-1
2	Bolt	Pin B8×50	ps732k.2024-9-2
3	Siguranta	Special shaped cotter pin	ps732k.2024-9-3
4	Ansamblu freze	Blades assy	ps732k.2024-9-4